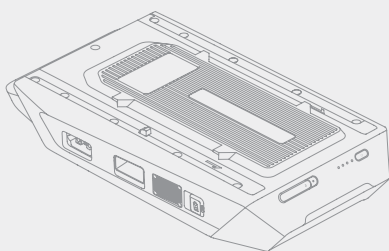


ECOFLOW

USER MANUAL

V1.0



EcoFlow WAVE 3 Add-on Battery

For more details, check the latest user manuals or related documents.

🔍 <https://www.ecoflow.com/support/download>

Contents

- 01 About This Manual**
- 01 Overview**
- 01 Safety Instructions**
 - 01 Disclaimer
 - 01 Safety Instructions
- 03 Appearance**
- 03 Get Started**
 - 03 Power On/Off
 - 04 Use USB Output
 - 04 Connect to WAVE 3
 - 05 Charge the Add-on Battery
- 08 Storage and Maintenance**
 - 08 Storage
 - 08 Cleaning
 - 08 Battery Health
- 09 LED Indicators**
 - 09 Main Status LEDs
 - 09 USB Status LED

About This Manual

- This manual contains an introduction to this product, and details on its operation, management, and maintenance. Please note that this manual may be updated without prior notice.
- The availability of certain accessories and features described in this manual may vary depending on your country or region.
- All images displayed in this manual are for demonstrative purposes only. Please refer to the actual product received.

Overview

EcoFlow WAVE 3 Add-on Battery (hereinafter referred to as "the add-on battery", "the battery", or "the product") is a power station with a LiFePO₄ battery and a capacity of 1024Wh. It is designed to power the EcoFlow WAVE 3 portable air conditioner (hereinafter referred to as "EcoFlow WAVE 3", "WAVE 3", or "the air conditioner"), providing extended runtime for outdoor use.

The product features multiple outputs, including USB-A, USB-C, and an extra battery port to support various appliances and devices. The variety of charging options allows you to easily switch between different methods based on your actual needs.

Safety Instructions

I Disclaimer

Please read the product documentation thoroughly and ensure you understand it before using the product. Improper use may cause serious injury, product damage, or property loss. Always refer to the most up-to-date documentation available at <https://www.ecoflow.com/support/download/>. This documentation takes precedence over all other versions.

By using this product, you acknowledge and agree to all terms and conditions stated in the documentation. EcoFlow is not liable for losses caused by improper use or failure to adhere to the provided instructions. Subject to applicable laws and regulations, EcoFlow reserves the right to the final interpretation of this document and all documents related to the product.

I Safety Instructions

WARNING – When using this product, basic precautions should always be followed, including the following:

Warning

1. Do not subject the product to mechanical shock. In the event of shock, do not continue to use it.

2. Only regulated charging method in User Manual is permitted.
3. Do not maintain product on charge when not in use.
4. Transportation
5. Do not subject this product to severe impacts, vibrations, or drops.
6. Do not carry this product onto a plane.

Environment

1. Do not use the product near a heat source, such as a fire source or a heating furnace.
2. Do not get the product wet or immerse it in any liquid. When using the product in wet environments like rainy areas or places near water, protect it with a waterproof bag.
3. Follow the environment temperature requirements specified in the product specification to use or store the product. Avoid degradation or damage to the product, or risks to personal safety due to excessively high or low temperatures.
4. Do not use the product in an environment with strong static electricity or magnetic fields.
5. Keep the product out of reach of children and pets. If the product is to be used near children, they should be closely supervised.
6. Keep the product away from fumes, smoke, steam, and dust.
7. Store the product in a tidy, dry, and well-ventilated place.
8. For long-term storage, charge and discharge the product once every 3 months (fully charge it, then discharge to 60% for storage) to maintain battery health. The product will not be covered by the warranty if it is not charged or discharged for more than 6 months.

Operation

1. Electrical appliances connected to this product must comply with local certification requirements, and Type-C ports are only permitted for appliances with fireproof enclosures.
2. Do not disassemble, repair, or modify this product by yourself. For any maintenance or service, please contact EcoFlow Customer Service.
3. Always disconnect the product from all external power sources before attempting any service or maintenance.
4. To reduce risk of damage to the electric plug and cord, pull the plug rather than the cord when disconnecting the product.
5. Do not pierce the product with sharp objects.
6. Do not put fingers or hands into the product.
7. Do not insert wires or other metal objects into the product to prevent short circuits.
8. Do not use any unofficial or unrecommended components or accessories. For any replacements, please contact EcoFlow for further assistance.
9. Do not operate this product with a damaged cord or plug, or a damaged output cable.
10. Do not stack any heavy objects on the product.
11. Place the product on a stable and flat surface. Avoid damage to the device or personal injury due to the product falling or tipping over.
12. Use a soft, dry cloth to wipe and clean the product.
13. Use in Repair Facility: During use in a repair facility like a vehicle repair center, workshop, or any other place where repairs are conducted, do not place the product on the floor, or at a height less than 457 mm (18 inches) above the floor.

14. Ensure that the cable length for each PV/DC connection to this product is less than 3 meters.

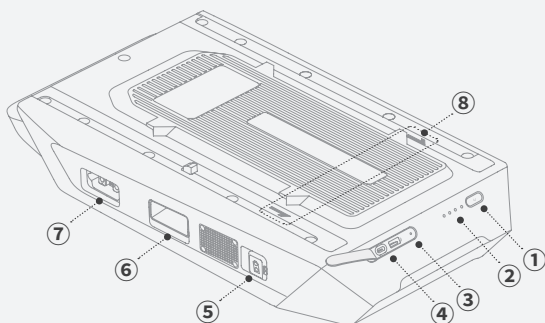
In Case of Emergency

1. In case of emergency, take precautions against electric shock before touching the product, such as wearing insulating gloves.
2. If the product gets wet, stop using it immediately and refrain from further operation or powering it on. Place the product in a secure, waterproof, and well-ventilated area, then contact EcoFlow Customer Service for assistance.
3. If the product falls into water, place it in a secure, waterproof, and well-ventilated area, and keep it away from contact until it is completely dry. The dried product should not be used again and must be properly disposed of according to local laws and regulations.
4. If the product catches fire, we recommend that you use the fire extinguishers in the following order: water or water mist, sand, fire blanket, dry powder, and finally a carbon dioxide fire extinguisher.

Recycling and Disposal

1. The product with severe damage, malfunction, or depleted battery life should be properly disposed of or recycled.
2. The product contains batteries. Please dispose of the product following local laws and regulations for battery disposal and recycling. Do not dispose of it with household waste to avoid environmental pollution and safety hazards.
3. If possible, ensure the product is completely discharged (to 0% capacity) before disposing of the product. If not, refrain from placing the product directly into a battery recycling box. Instead, contact a professional battery recycling company for proper handling.

Appearance

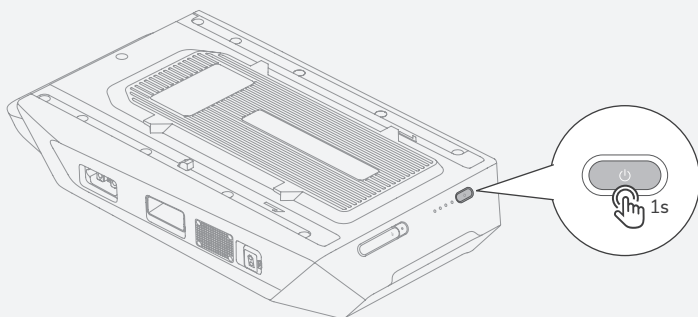


- ① Power button
- ② Main status LEDs
- ③ USB status LED
- ④ USB output ports
- ⑤ Solar/Car charging port (XT60i)
- ⑥ Unlock button
- ⑦ Extra battery port (XT150)
- ⑧ Alignment mark

Get Started

I Power On/Off

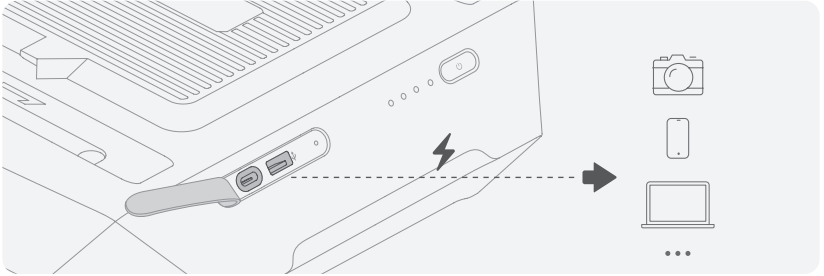
Press and hold the power button for 1 second until the main indicator lights up or turns off. Once the battery is connected to WAVE 3, turning on or off either one will activate or deactivate the other accordingly.



I Use USB Output

The USB ports are enabled by default once the battery is powered on with the USB indicator remains solid.

Press the main power button once to disable all USB outputs (with the USB indicator turning off). Press again to re-enable them.



The USB output ports of the add-on battery support the following charging protocols.

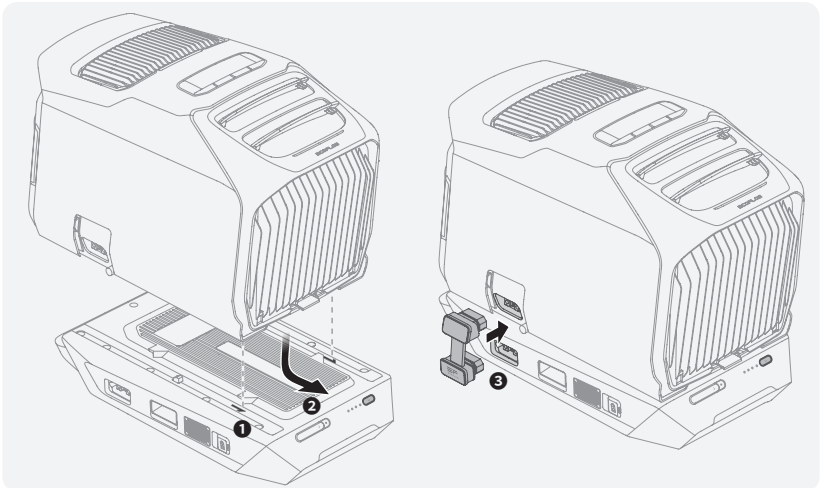
| | |
|-------|----------------------------|
| USB-C | UFCS (36W) / PD3.1 / QC3.0 |
| USB-A | QC3.0 |

It is recommended to charge your electronic device using a compatible USB charging cable. Otherwise, the maximum output power may not be available if the cable or device does not support the corresponding protocol.

I Connect to WAVE 3

Assemble the Battery

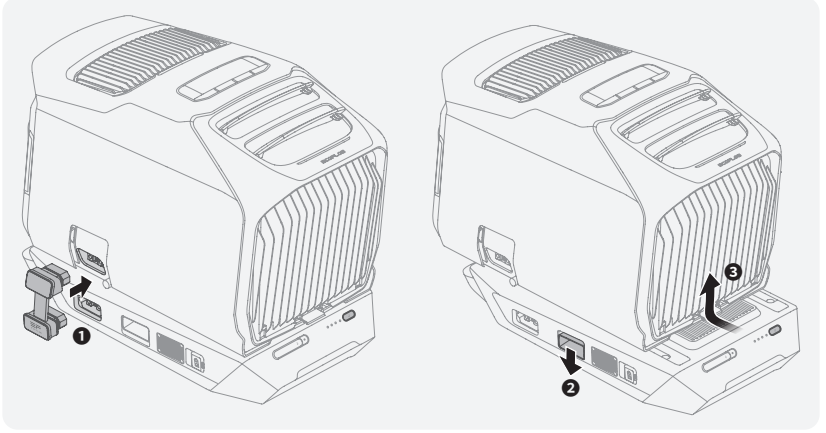
1. Align WAVE 3 with the markings on the top of the battery and place it down.
2. Push it forward until you hear a "click" sound to complete the assembly.
3. Plug in the provided EcoFlow WAVE 3 Add-on Battery Cable.



To turn on both units simultaneously, long-press the power button on either the EcoFlow WAVE 3 or the battery.

Disassemble the Battery

1. Press and hold the power button to turn off the battery, then unplug the EcoFlow WAVE 3 Add-on Battery Cable.
2. Press the unlock button and slide WAVE 3 backward to remove it.



I Charge the Add-on Battery

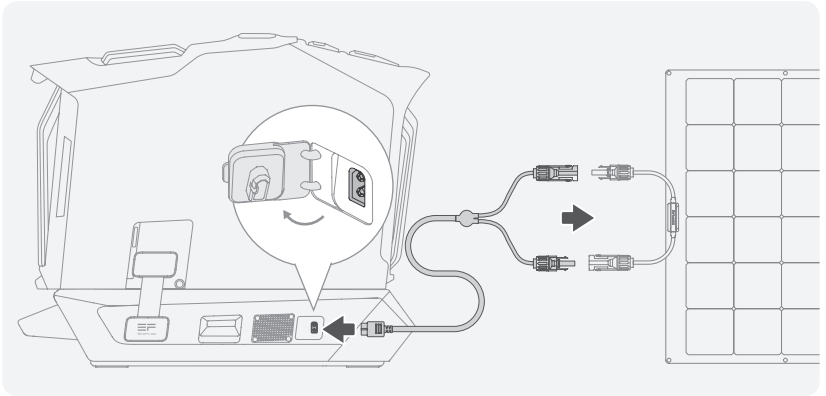
The battery supports multiple input sources via the Solar/Car charging port (XT60i) and the extra battery port (XT150). When connecting multiple input sources simultaneously, a clean and stable power supply is usually used by default.

From Solar Power

The XT60i input port(s) of the battery supports both solar charging and car charging.

Here is a basic guiding principle that helps you check your setup when connecting your solar panel(s) to charge the battery:

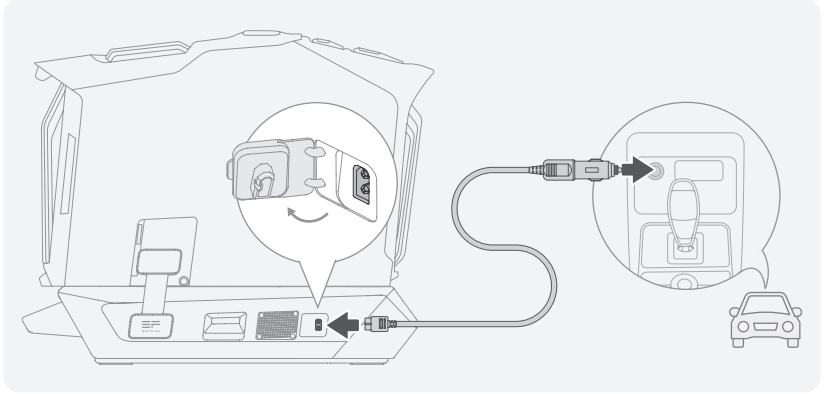
1. Connect this port to the solar panel(s) using an EcoFlow Solar to XT60i Charging Cable (sold separately).
2. Please make sure that the total Voc (open circuit voltage) of the solar panel(s) is within 60V, and the total Isc (short circuit current) is within 13A to avoid product damage.
3. For series or parallel connection, please refer to the solar panel's manual for more details.



From a Cigarette Lighter Socket

The XT60i input port(s) of the battery supports both solar charging and car charging.

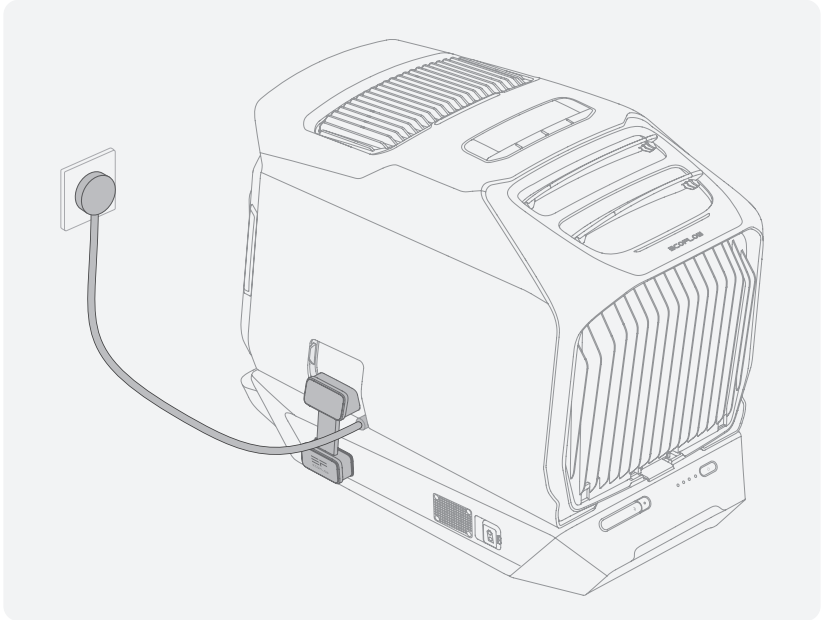
Connect the battery's car charging input port to your vehicle's cigarette lighter socket using the provided car charging cable.



- To avoid the start failure due to an insufficient car battery, connect the charging cable after the vehicle is started. In addition, make sure that the cable is securely connected to the cigarette lighter.

From a Wall Outlet

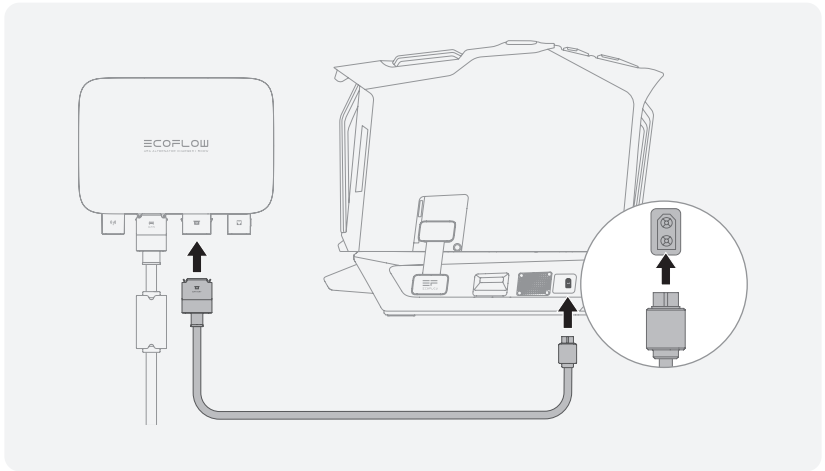
1. Connect the battery to the XT150 port of WAVE 3 (or a compatible EcoFlow power station) using the provided EcoFlow WAVE 3 Add-on Battery Cable.
2. Then connect WAVE 3 to an AC wall outlet.



From EcoFlow Alternator Charger

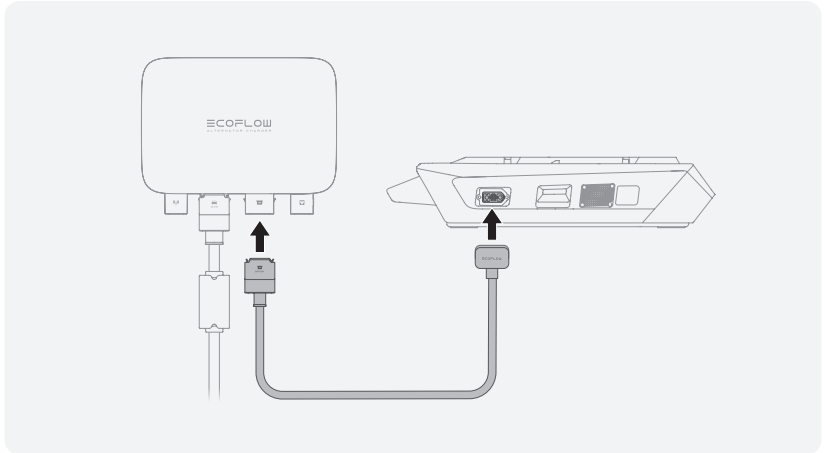
EcoFlow 500W Alternator Charger

Connect the XT60 Output Cable from the Portable Power Station Port of the charger to the solar charging port (XT60i) of the battery. Once connected, you can charge the add-on battery with the car battery (requires setup on the Alternator Charger app device homepage).



EcoFlow 800W Alternator Charger

Connect the XT150 Output Cable from the Portable Power Station Port of the charger to the extra battery port of the add-on battery. Once connected, it supports bidirectional charging and discharging with the car battery (requires setup on the Alternator Charger app device homepage).



Maintenance and Care

I Storage

- Store the battery in an environment between -10°C and 45°C, with a recommended range of approximately 0°C to 30°C to maintain battery health.
- Keep the product in a dry, cool, well-ventilated area that is secure and reduces the risk of falling.
- Ensure the device is kept away from water sources, heat sources, strong magnetic fields, environments with corrosive gases, and any flammable or explosive substances.

I Cleaning

- Use a soft, dry cloth to wipe and clean the product.

I Battery Health

- For long-term storage, charge and discharge the product once every 3 months:
 1. Fully charge the product.
 2. Discharge the product again to 60% battery level.
- Do not leave the product uncharged or unused for more than 6 months; otherwise, the warranty will be void.

LED Indicators

I Main Status LEDs



Powering On/Off



The LEDs turn on from left to right in sequence when the battery is powering on.



The LEDs turn off from right to left when the battery is powering off.

Battery Level

When the indicators are solid, the number of LEDs that are lit up indicates the current battery level. All four LEDs will blink white when the battery level is below 5%. Please charge the product.



≤5%



≤25%



≤50%



≤75%



≤100%

Charging



The LED corresponding to the current battery level blinks white during charging.

Firmware Upgrade



The two LEDs in the middle blink white when the battery is upgrading the firmware.

Error

When the first LED is blinking orange, it indicates that an error has occurred.



High Temperature Warning

Stop the operation and place the battery in a location away from heat sources with good ventilation.



Low Temperature Warning

Move the battery to a warmer location to ensure usage within the appropriate temperature range.



USB Port Malfunction

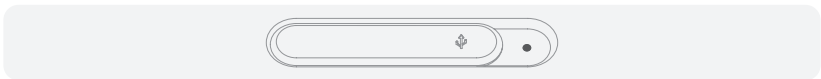
Please contact EcoFlow Customer Service.



Permanent Failure

Please contact EcoFlow Customer Service.

I USB Status LED



On The USB output ports are enabled.

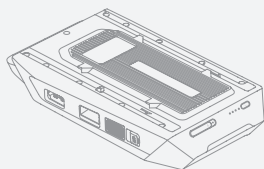
Off The USB output ports are disabled.

Appendix

I Technical Specifications

| Input/Output Specifications | |
|-----------------------------|--|
| Model | EF-WA-E01-3 |
| Capacity | 1024Wh (51.2V \approx 20Ah) |
| Maximum Output | 858W Max |
| USB-A Output | 5V \approx 2.4A/9V \approx 2A/12V \approx 1.5A, 18W Max |
| USB-C Output | 5V/9V/12V/15V \approx 3A Max, 20V/28V \approx 5A Max, 140W Max |
| Maximum Input | 1000W Max |
| Solar Input | 11-60V \approx 13A Max, 400W Max |
| Car Input | 12V/24V \approx 8A Max, 200W Max |
| Battery Runtime | 2-8 hours |
| Battery Specifications | |
| Battery Cell Material | LFP (LiFePO ₄) |
| Cycle Life | 80%+ capacity after 4000 cycles |
| IP Rating | IP65 |
| Environment Temperature | |
| Discharge Temperature | -10°C to 50°C (14°F to 122°F) |
| Charge Temperature | 0°C to 45°C (32°F to 113°F) |
| Storage Temperature | -10°C to 45°C (14°F to 113°F) |
| General Information | |
| Operating Altitude | < 2000 m (6562 ft) |
| Net Weight | Approximately 9.7 kg (21.4 lbs) |
| Dimensions | 516 × 281 × 111 mm (20.3 × 11.1 × 4.4 in) |

I What's in the Box



EcoFlow WAVE 3 Add-on Battery



EcoFlow WAVE 3 Add-on Battery Cable



EcoFlow Car Charging Cable



Safety Instructions, Quick Start Guide, Warranty Card

Regulatory Compliance

FCC COMPLIANCE STATEMENT

Any Changes or modifications not expressly approved by the party responsible for compliance could void the user's authority to operate the equipment

This device complies with part 15 of the FCC Rules. Operation is subject to the following two conditions

This device may not cause harmful interference, and (1) this device must accept any interference received, including (2) interference that may cause undesired operation

This equipment has been tested and found to comply with the limits for a Class B digital device, pursuant to Part 15 of the FCC Rules. These limits are designed to provide reasonable protection against harmful interference in a residential installation. This equipment generates uses and can radiate radio frequency energy and, if not installed and used in accordance with the instructions, may cause harmful interference to radio communications. However, there is no guarantee that interference will not occur in a particular installation. If this equipment does cause harmful interference to radio or television reception, which can be determined by turning the equipment off and on, the user is encouraged to try to correct the interference by one of the following measures

Reorient or relocate the receiving antenna -

Increase the separation between the equipment and receiver -

Connect the equipment into an outlet on a circuit different from - that to which the receiver is connected

Consult the dealer or an experienced radio/TV technician for help -

INDUSTRY CANADA COMPLIANCE

English

This device complies with Industry Canada licence-exempt RSS (standard)s

Operation is subject to the following two conditions

this device may not cause interference, and (1)

this device must accept any interference, including interference (2) that may cause undesired operation of the device

(CAN ICES(B) / NMB(B)

AVIS DE CONFORMITÉ À LA RÉGLEMENTATION D'INDUSTRIE CANADA

Français

Le présent appareil est conforme aux CNR d'Industrie Canada applicables aux appareils radio exempts de licence. L'exploitation est autorisée aux deux conditions suivantes

l'appareil ne doit pas produire de brouillage, et (1)

l'utilisateur de l'appareil doit accepter tout brouillage (2)

radioélectrique subi, même si le brouillage est susceptible d'en compromettre le fonctionnement

This Class B digital apparatus complies with Canadian ICES-003

Cet appareil numérique de la classe B est conforme à la norme

NMB-003 du Canada

(CAN ICES(B) / NMB(B)



Hereby, EcoFlow Inc. declares that the battery is in compliance with Regulation (EU) 2023/1542 of the European Parliament



English: This marking indicates that this product should not be disposed of with other household waste within the EU. Recycle this product properly to prevent possible damage to the environment or a risk to human health via uncontrolled waste disposal and in order to promote the sustainable reuse of material resources. Please return your used product to an appropriate collection point or contact the retailer where you purchased this product. Your retailer will accept used products and return them to an environmentally-sound recycling facility

Deutsch: Diese Kennzeichnung zeigt an, dass dieses Produkt innerhalb der EU nicht mit anderem Hausabfall entsorgt werden sollte. Recyceln Sie dieses Produkt ordnungsgemäß, um mögliche Umweltschäden oder Gesundheitsrisiken durch unkontrollierte Abfallentsorgung zu verhindern und gleichzeitig die umweltverträgliche Wiederverwendung von Materialressourcen zu fördern. Bitte geben Sie Ihr gebrauchtes Produkt an eine geeignete Sammelstelle oder kontaktieren Sie den Händler, wo Sie das Produkt erworben haben. Ihr Händler wird das gebrauchte Produkt annehmen und an eine umweltgerechte Recycling-Einrichtung weiterleiten

Français: Ce marquage indique que ce produit ne doit pas être jeté avec les ordures ménagères au sein de l'UE. Recyclez ce produit de façon correcte pour éviter toute atteinte à l'environnement ou

à la santé humaine en l'apportant à un centre de recyclage afin de revaloriser ses matières premières. Veuillez rapporter votre produit usagé à un centre de collecte approprié ou contactez le distributeur qui vous a vendu ce produit. Votre revendeur reprendra vos produits hors d'usage et les retourner à un centre de recyclage écologique

Italiano: Questo simbolo indica che il presente prodotto non deve essere smaltito tra i rifiuti domestici nelle nazioni dell'Unione Europea. Per prevenire possibili danni all'ambiente o alla salute da apparecchi e dispositivi smaltiti in modo non corretto, iciclare il dispositivo in modo responsabile per promuovere il riutilizzo sostenibile delle risorse materiali. Per smaltire il dispositivo, utilizzare i sistemi di raccolta e smaltimento o contattare il rivenditore autorizzato presso il quale il prodotto è stato acquistato. Il rivenditore autorizzato accetterà i prodotti usati e provvederà al loro riciclaggio adeguato in maniera ecocompatibile

Español: Esta marca indica que este producto no debe ser eliminado en la basura del hogar en la Unión Europea. Debe reciclar este producto adecuadamente para evitar posibles daños al medio ambiente o riesgos para la salud humana a través de la eliminación no controlada y para promover la reutilización de recursos materiales. Debe devolver su producto usado en un punto adecuado de recogida o contactar al vendedor donde compró este producto. El vendedor debe aceptar productos usados y devolverlos en una planta de reciclaje adecuada al medio ambiente

Nederlands: Deze aanduiding geeft aan dat dit product in de EU niet met ander huishoudelijk afval mag worden weggegooid. Recycle dit product op een correcte manier om mogelijke schade aan het milieu of gezondheidsrisico's door middel van ongecontroleerd storten te voorkomen en om het duurzaam hergebruik van grondstoffen te promoten. Breng uw gebruikt product naar een verzamelpunt of neem contact op met de handelaar waar u dit product hebt gekocht. Uw handelaar aanvaardt gebruikte producten en brengt deze terug naar een milieuvriendelijke recyclefaciliteit

Русский: Эта маркировка указывает на то, что данный продукт нельзя утилизировать вместе с другими бытовыми отходами в пределах ЕС. Утилизируйте этот продукт должным образом, чтобы предотвратить возможный ущерб окружающей среде или риск для здоровья человека из-за неконтролируемой утилизации отходов, а также для обеспечения устойчивого повторного использования материальных ресурсов.

Пожалуйста, верните использованный продукт в соответствующий пункт сбора или свяжитесь с продавцом, у которого вы приобрели этот продукт. Ваш продавец примет использованные продукты и вернет их на экологически безопасное предприятие по переработке. Русский - (RU) Исползованные батареи нельзя выбрасывать вместе с бытовым мусором, так как они могут содержать токсичные элементы и тяжелые металлы, которые могут нанести вред окружающей среде и здоровью человека. Верните разряженные батареи в соответствующий центр по переработке



English: Hereby, EcoFlow Inc. declares that the equipment type battery is in compliance with Directives 2014/30/EU, 2011/65/EU (RoHS), (EU) 2015/863 (RoHS). The full text of the EU declaration of conformity is available at the following Internet address

Deutsch: Hiermit erklärt EcoFlow Inc., dass der typ des Akku der Richtlinie 2014/30/EU, 2011/65/EU (RoHS), (EU) 2015/863 (RoHS) entspricht. Der vollständige Text der EU Konformitätserklärung ist unter der folgenden Internetadresse verfügbar

Français: Par la présente, EcoFlow Inc. déclare que l'équipement de type Batterie est conforme à la Directive 2014/30/EU, 2011/65/EU (RoHS), (EU) 2015/863 (RoHS). Le texte complet de la déclaration

UE de conformité est disponible à l'adresse internet suivante

Italiano: Con la presente, EcoFlow Inc. dichiara che il tipo di apparecchiatura Batteria è conforme alla direttiva 2014/30/EU,

2011/65/EU (RoHS), (EU) 2015/863 (RoHS). Il testo completo della

dichiarazione di conformità UE è disponibile al seguente indirizzo

Español: Mediante la presente, EcoFlow Inc. declara que el equipo de tipo Batería cumple con la Directiva 2014/30/EU, 2011/65/

(EU) (RoHS), (EU) 2015/863 (RoHS). El texto completo de la

declaración de conformidad de la UE esta disponible en la siguiente

dirección de Internet

Nederlands: Hierbij verklaart EcoFlow Inc. dat de apparatuur van het type Accu in overeenstemming is met de Richtlijnen 2014/30/

EU, 2011/65/EU (RoHS), (EU) 2015/863 (RoHS). De volledige tekst van de EU-conformiteitsverklaring is beschikbaar op het volgende

internetadres

Русский: Настоящим EcoFlow Inc. заявляет, что тип Оборудования для аккумулятора соответствует Директиве 2014/30/EU, 2011/65/EU (RoHS), (EU) 2015/863 (RoHS). Полный текст ЕС декларации о соответствии доступен по следующему интернет адресу

EU: <http://www.ecoflow.com/eu/eu-compliance>

产品中有害物质的名称及含量

| 部件名称 | 有害物质 | | | | | |
|---------|-------|-------|-------|------------|-----------|----------------|
| | (铅(Pb | (汞(Hg | (镉(Cd | (六价铬(Cr(VI | (多溴联苯(PBB | 多溴二苯醚 (PBDE |
| 塑料结构件 | ○ | ○ | ○ | ○ | ○ | ○ |
| 金属结构件 | ○ | ○ | ○ | ○ | ○ | ○ |
| 电池 | ○ | ○ | ○ | ○ | ○ | ○ |
| 电路板组件 | × | ○ | ○ | ○ | ○ | ○ |
| 电源线/连接线 | × | ○ | ○ | ○ | ○ | ○ |

本表格依据 SJ/T11364 的规定编制。
 ○：表示该有害物质在该部件所有均质材料中的含量均在 GB/T226572 规定的限量要求以下。
 ×：表示该有害物质至少在该部件的某一均质材料中的含量超出 GB/T26572 规定的限量要求。
 备注：以上标注“×”的部件根据中国电子电器产品达标管理目录限用物质应用例外清单要求属于豁免。

